

■ Features

- Compliance to EN IEC 61000-3-2 (<25W) standard.
- Screw terminals for easy installation.
- Short circuit / overload / over-voltage protection.
- Compliance to worldwide safety regulations for lighting.
- Lifetime: 30000 hours.

■ Description

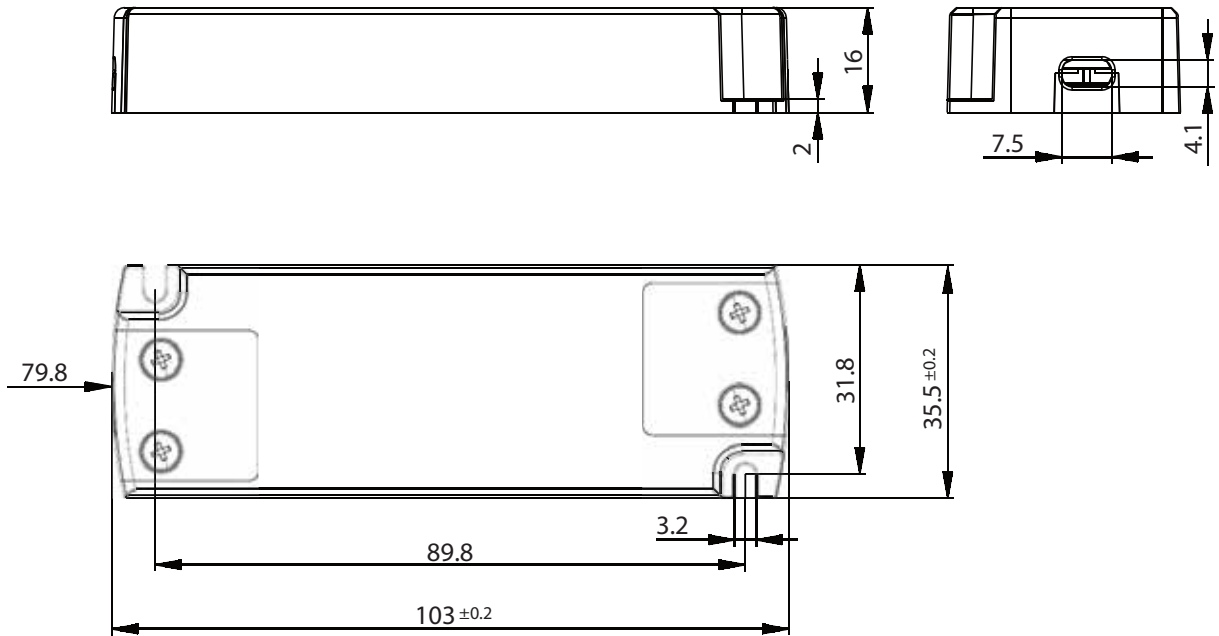
EV-SNT-20-12/24 is an indoor ultra thin constant voltage LED driver. Its input voltage range is 180-264Vac, with a maximum conversion efficiency of 85%, working in the temperature range of -20°C~+45°C ambient temperature range. with high power factor, low THD, low standby power consumption and all round protection function, which not only greatly improves the reliability of the product, but also ensures the life cycle of product. The product completely in accordance with EN IEC 61000-3-2 THD standard. This series is designed for LED lighting and applied to indoor bathroom mirror lamp and other lighting fixtures

■ Specification



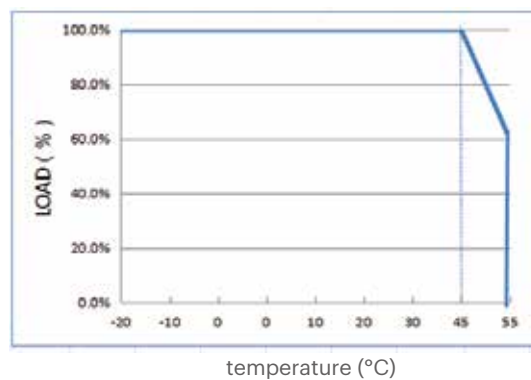
Model		EV-SNT-20-12	EV-SNT-20-24
Output	DC Voltage	12V	24V
	Voltage Tolerance	±5%	
	Rated current	0-1.67A	0-0.833A
	Rated power	20W	20W
Input	Voltage Range	AC 180V - 264V	
	Frequency Range	50-60HZ	
	Power Factor	0.80 - 0.84	
	Full Load Efficiency (Typ.)	86%	
	AC Current (Max.)	0.17A/230V	0.17A/230V
	Leakage current	0.7mA 230Vac/50HZ	
Protection	Short Circuit	Short circuit power ≤0.6W	
	Over load	1.5 times of rated output voltage	
	Over Temperature	NA	
Environment	Working TEMP.	-20 - 45°C	
	Working Humidity	10%RH - 90%RH	
	Storage TEM., Humidity	-40° - 85°C, Humidity Min: 5%RH - 95%RH	
	TEMP.coefficient	±0.03%/°C (0 ~ 60°C)	
	Vibration	NA	
Safety&EMC	Safety standards	EN/IEC-61347, EN/IEC-60598 Approved, AS/NZS-61347/60598 Approved	
	Withstand voltage	Input-Output : 3750V/5mA/1min	
	Isolation resistance	>5M Ohm/500VDC/25°C/70%RH	
	EMC EMISSION	Compliance to EN/IEC-55015, EN/IEC-61000, AS CISPR 15:2017	
	EMC immunity	Compliance to EN-61547:2009, EN-61000-4-2,3,4,5,6,11	
Others	Weight	0.0765KG	
	Size	103*35.5*16mm (L*W*H)	
	Packing	200PCS	
Notes	Warranty 5 years		

■ **Mechanical Specification**



AC	Terminal, H03VVH2-F 2 x 0.75mm ²
DC	Terminal, H03VVH2-F 2 x 0.75mm ²

■ **Derating Curve**



※ To extend their life, please refer to the Derating Curve and derate according to the temperature.

■ Instruction

- This driver should be installed by qualified and professional person
- Please make sure the transformer is installed with adequate ventilation around it to allow for heat dissipation
- Ensure that wiring is correct before test, in order to avoid light and power supply damage
- If driver does not work normally, don't maintain privately, please contact with Wellforces